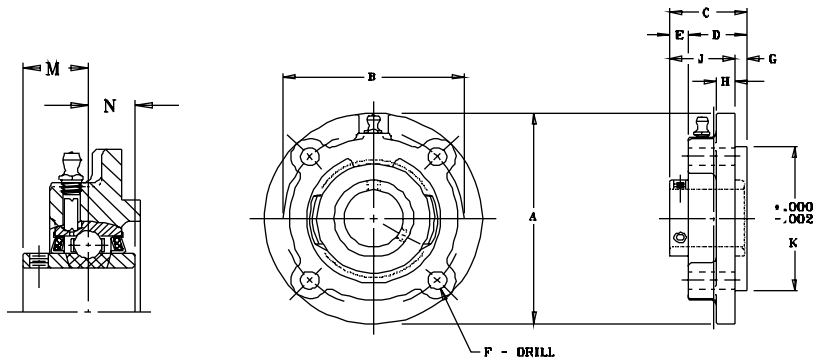


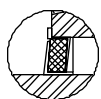
# SEALMASTER<sup>®</sup> MOUNTED BALL BEARINGS



## SFC Series Standard Duty Flange Cartridge Units... Setscrew Locking

SHAFT DIAM.		PART NO.	BRG. NO.	Dimensions In Inches											UNIT WT.	
				A	B	C	D	E	F	G	H	J	K	M		N
1 1/8		SFC-18	2-12	4 3/8	3 5/8	1 9/16	1 3/16	3/8	3/8	1/4	3/8	1 5/16	3.000	7/8	5/8	3.0
1 3/16		SFC-19	2-13													
1 1/4		SFC-20R	1-14													
	30	SFC-206	5206													
1 1/4		SFC-20	2-14	5	4 1/8	1 11/16	1 1/4	7/16	7/16	3/8	3/8	1 5/16	3.375	1	11/16	3.9
1 5/16		SFC-21	2-15													
1 3/8		SFC-22	2-16													
1 7/16		SFC-23	2-17													
	35	SFC-207	5207													
1 1/2		SFC-24	2-18	5 1/4	4 3/8	1 15/16	1 15/32	15/32	7/16	7/16	7/16	1 1/2	3.625	1 3/16	3/4	4.7
1 9/16		SFC-25	2-19													
	40	SFC-208	5208													
1 5/8		SFC-26	2-110	6 1/8	5 1/8	1 15/16	1 7/16	1/2	1/2	7/16	7/16	1 1/2	4.250	1 3/16	3/4	6.0
1 11/16		SFC-27	2-111													
1 3/4		SFC-28	2-112													
	45	SFC-209	5209													
1 7/8		SFC-30	2-114	6 1/8	5 1/8	2 1/32	1 15/32	9/16	1/2	15/32	7/16	1 9/16	4.250	1 9/32	3/4	6.5
1 15/16		SFC-31	2-115													
2		SFC-32R	1-2													
	50	SFC-210	5210													
2		SFC-32	2-2	6 3/8	5 3/8	2 3/16	1 5/8	9/16	1/2	5/8	7/16	1 9/16	4.500	1 5/16	7/8	7.5
2 1/8		SFC-34	2-22													
2 3/16		SFC-35	2-23													
	55	SFC-211	5211													
2 1/4		SFC-36	2-24	7 1/8	6	2 9/16	1 7/8	11/16	9/16	7/8	1/2	1 11/16	5.000	1 9/16	1	10.5
2 3/8		SFC-38	2-26													
2 7/16		SFC-39	2-27													
	60	SFC-212	5212													
2 11/16		SFC-43	2-211	7 5/8	6 1/2	2 7/8	2 3/16	11/16	9/16	1 1/8	9/16	1 3/4	5.500	1 11/16	1 1/16	14.0
	70	SFC-214	5214													
2 7/8		SFC-46	2-214	8 3/4	7 1/2	3 1/16	2 5/16	3/4	11/16	1 1/16	9/16	2	6.375	1 3/4	1 5/16	18.7
2 15/16		SFC-47	2-215													
	75	SFC-215	5215													
3 3/16		SFC-51	2-33	8 3/4	7 1/2	3 1/4	2 7/16	13/16	11/16	1 1/4	5/8	2	6.375	1 15/16	1 5/16	20.0
	80	SFC-216	5216													

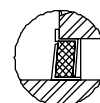
For Load Ratings, see page 45. For Standard Duty Bearing Inserts-Single Lock, see page 43.



**Felt Seal Standard**  
Positive sealing for low, medium, and high speed operation.



**Single Lip Contact Seal**  
Available on all sizes. Recommended where moisture conditions prevail. To specify, add suffix "C" (SFC-16C).



**Hi-Temp Seal**  
Available as an option where operating temperatures are in 250-400° range. (See seal options on page 188).