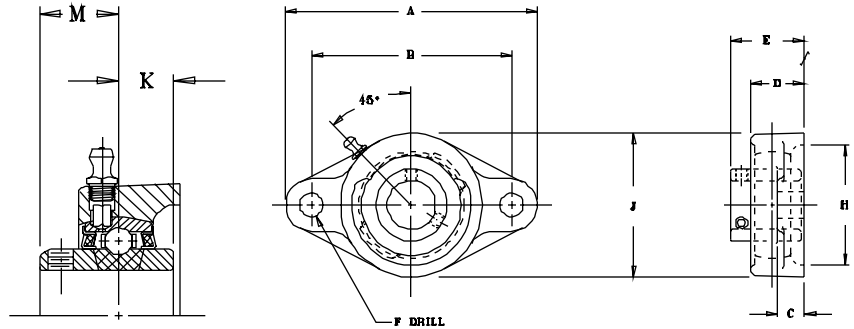




MOUNTED BALL BEARINGS

**SEALMASTER®**



## SFT Series Standard Duty Two-Bolt Flange Units...Setscrew Locking

SHAFT DIAM.	PART NO.	BRG. NO.	Dimensions in Inches										UNIT WT.
			A	B	C	D	E	F	H CORED	J	K	M	
1/2 9/16 5/8 11/16	SFT-8 SFT-9 SFT-10 SFT-11	2-08 2-09 2-010 2-011	3 7/8	3	7/16	15/16	1 9/32	13/32	1 15/16	2 5/16	1/2	23/32	1.2
3/4 20	SFT-12 SFT-204	2-012 5204	4 13/32	3 17/32	7/16	15/16	1 9/32	13/32	2	2 3/8	1/2	23/32	1.2
13/16 7/8 15/16 1 25	SFT-13 SFT-14 SFT-15 SFT-16 SFT-205	2-013 2-014 2-015 2-1 5205	4 7/8	3 57/64	17/32	1 1/32	1 7/16	15/32	2 3/8	2 3/4	9/16	13/16	1.6
1 1/16 1 1/8 1 3/16 1 1/4 30	SFT-17 SFT-18 SFT-19 SFT-20R SFT-206	2-11 2-12 2-13 1-14 5206	5 9/16	4 19/32	17/32	1 11/64	1 9/16	15/32	2 7/8	3 1/4	5/8	7/8	2.2
1 1/4 1 5/16 1 3/8 1 7/16 35	SFT-20 SFT-21 SFT-22 SFT-23 SFT-207	2-14 2-15 2-16 2-17 5207	6 1/8	5 1/8	9/16	1 11/32	1 3/4	17/32	3 5/16	3 3/4	11/16	1	3.2
1 1/2 1 9/16 40	SFT-24 SFT-25 SFT-208	2-18 2-19 5208	6 3/4	5 21/32	9/16	1 1/2	2 1/64	17/32	3 1/2	4 1/8	3/4	1 3/16	4.5
1 5/8 1 11/16 1 3/4 45	SFT-26 SFT-27 SFT-28 SFT-209	2-110 2-111 2-112 5209	7 1/16	5 27/32	9/16	1 9/16	2 3/64	19/32	3 7/8	4 3/8	3/4	1 3/16	5.0
1 13/16 1 7/8 1 15/16 2 50	SFT-29 SFT-30 SFT-31 SFT-32R SFT-210	2-113 2-114 2-115 1-2 5210	7 7/16	6 3/16	9/16	1 9/16	2 5/32	19/32	4	4 9/16	3/4	1 9/32	5.4
2 2 1/8 2 3/16 55	SFT-32 SFT-34 SFT-35 SFT-211	2-2 2-22 2-23 5211	8 1/2	7 1/4	13/16	1 3/4	2 5/16	21/32	4 1/4	5 1/4	7/8	1-5/16	8.4

For Load Ratings, see page 45. For Standard Duty Bearing Inserts-Single Lock, see page 43.  
See page 27 for seal arrangements.