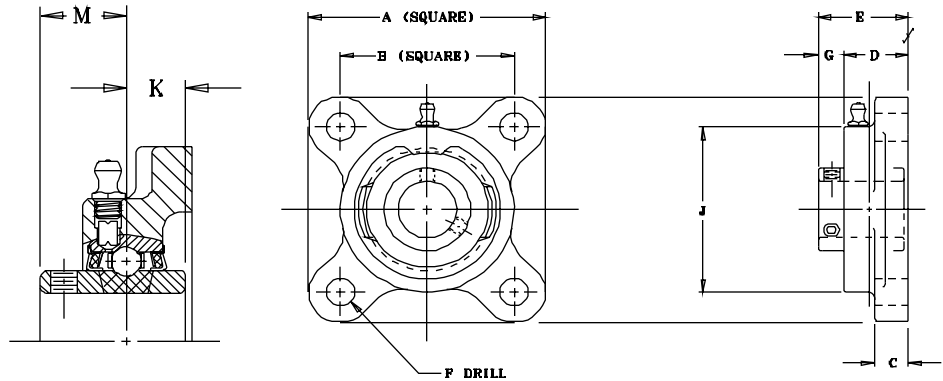




MOUNTED BALL BEARINGS SEALMASTER®



SF Series Standard Duty Four-Bolt Flange Units...Setscrew Locking

SHAFT DIAM.		PART NO.	BRG. NO.	Dimensions in Inches									UNIT WT.	
				A	B	C	D	E	F	G	J	K		M
1/2		SF-8	2-08											
9/16		SF-9	2-09											
5/8		SF-10	2-010	3	2 1/8	7/16	15/16	1 9/32	13/32	11/32	2 5/16	1/2	23/32	1.4
11/16		SF-11	2-011											
3/4	20	SF-12	2-012	3 3/8	2 1/2	7/16	15/16	1 9/32	13/32	11/32	2 3/8	1/2	23/32	1.5
		SF-204	5204											
13/16		SF-13	2-013											
7/8		SF-14	2-014											
15/16		SF-15	2-015	3 3/4	2 3/4	17/32	1 1/32	1 7/16	15/32	13/32	2 23/32	9/16	13/16	2.1
1	25	SF-16	2-1											
		SF-205	5205											
1 1/16		SF-17	2-11											
1 1/8		SF-18	2-12											
1 3/16		SF-19	2-13	4 1/4	3 1/4	17/32	1 11/64	1 9/16	15/32	25/64	3 7/32	5/8	7/8	3.6
1 1/4	30	SF-20R	1-14											
		SF-206	5206											
1 1/4		SF-20	2-14											
1 5/16		SF-21	2-15											
1 3/8		SF-22	2-16	4 5/8	3 5/8	9/16	1 11/32	1 3/4	17/32	13/32	3 23/32	11/16	1	4.1
1 7/16	35	SF-23	2-17											
		SF-207	5207											
1 1/2		SF-24	2-18											
1 9/16	40	SF-25	2-19	5 1/8	4	9/16	1 1/2	2 1/64	17/32	33/64	4 5/64	3/4	1 3/16	5.5
		SF-208	5208											
1 5/8		SF-26	2-110											
1 11/16		SF-27	2-111											
1 3/4	45	SF-28	2-112	5 3/8	4 1/8	9/16	1 9/16	2 3/64	19/32	31/64	4 21/64	3/4	1 3/16	5.7
		SF-209	5209											
1 13/16		SF-29	2-113											
1 7/8		SF-30	2-114											
1 15/16		SF-31	2-115	5 5/8	4 3/8	9/16	1 9/16	2 5/32	19/32	19/32	4 9/16	3/4	1 9/32	6.4
2	50	SF-32R	1-2											
		SF-210	5210											
2		SF-32	2-2											
2 1/8		SF-34	2-22											
2 3/16	55	SF-35	2-23	6 3/8	5 1/8	13/16	1 3/4	2 5/16	21/32	9/16	5 1/4	7/8	1 5/16	10.5
		SF-211	5211											
2 1/4		SF-36	2-24											
2 3/8		SF-38	2-26											
2 7/16	60	SF-39	2-27	6 7/8	5 5/8	13/16	1 15/16	2 11/16	21/32	3/4	5 7/16	1	1 9/16	11.8
		SF-212	5212											
2 1/2		SF-40	3-28											
2 11/16	70	SF-43	2-211	7 3/8	5 7/8	11/16	2 5/16	3	21/32	11/16	6 1/8	1 1/16	1 11/16	16.4
		SF-214	5214											
2 7/8		SF-46	2-214											
2 15/16	75	SF-47	2-215	7 3/4	6	1	2 3/8	3 3/16	25/32	13/16	6 1/2	1 5/16	1 3/4	19.4
		SF-215	5215											