

For use with CWB Contactors

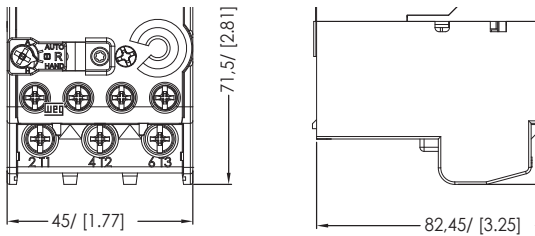
Three-pole Thermal Overload Relay Class 10

- Adjustable Trip Current
- Phase Loss Sensitivity
- Trip Class 10
- Built-In Auxiliary Contacts: 1NO + 1NC
- Ambient Temperature Compensation: -4°F to +140°F
- Multi-Function Button: Hand/Auto/Reset

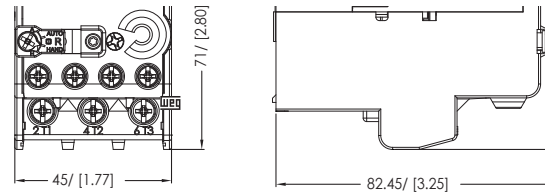
Matching Contactor	Setting Range [A]		Max. Fuse [A]	Catalog Number	List Price	Multiplier
	Min.	Max.				
CWB9 - CWB38	0.28	0.40	15	RW27-2D3-D004	\$50	22
	0.40	0.63	15	RW27-2D3-C063	\$50	
	0.56	0.80	15	RW27-2D3-D008	\$50	
	0.80	1.20	15	RW27-2D3-D012	\$50	
	1.20	1.80	15	RW27-2D3-D018	\$50	
	1.80	2.80	15	RW27-2D3-D028	\$50	
	2.80	4.00	15	RW27-2D3-U004	\$50	
	4.00	6.30	25	RW27-2D3-D063	\$50	
	5.60	8.00	30	RW27-2D3-U008	\$50	
	7.00	10.0	40	RW27-2D3-U010	\$50	
	8.00	12.5	50	RW27-2D3-D125	\$50	
	10.0	15.0	60	RW27-2D3-U015	\$50	
	11.0	17.0	60	RW27-2D3-U017	\$50	
	15.0	23.0	90	RW27-2D3-U023	\$50	
	22.0	32.0	90	RW27-2D3-U032	\$50	
32.0	40.0	90	RW27-2D3-U040	\$60		

- General Information
- Circuit Protection
- Disconnect Switches
- Motor Protectors
- Contactors
- Overloads
- Enclosed Starters
- Relays
- Pushbuttons and Pilot Lights
- Terminal Blocks
- Power Factor Correction
- Appendix A
- Appendix B

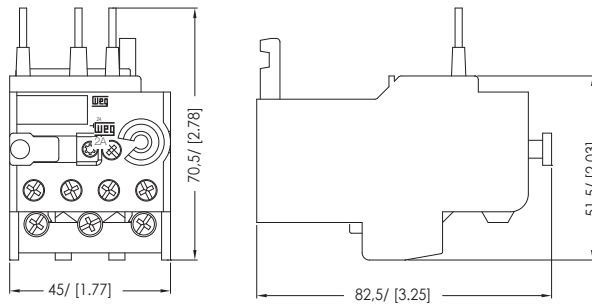
RW17-1D



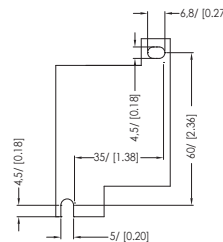
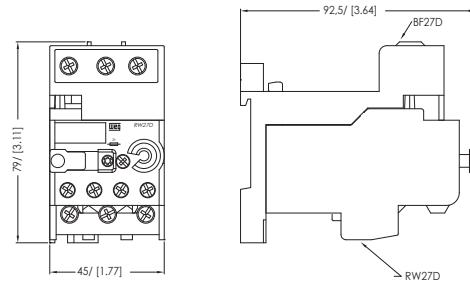
RW17-2D



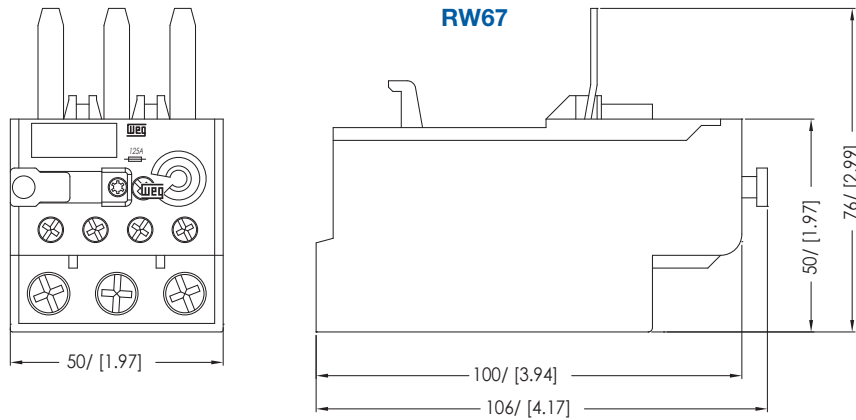
RW27



RW27 + BF27



RW67



- General Information
- Circuit Protection
- Disconnect Switches
- Motor Protectors
- Contactors
- Overloads
- Enclosed Starters
- Relays
- Pushbuttons and Pilot Lights
- Terminal Blocks
- Power Factor Correction
- Appendix A
- Appendix B