



In our pursuit to create drives optimized for variable speed needs in compact applications, the J1000 is the solution. This micro-drive is simple and reliable with Yaskawa quality. Demand continues to increase for compact drives with hassle-free maintenance. Yaskawa drives have earned a reputation for high performance, high functionality, and high quality.

Great Things Come in Small Packages!

### Performance Features

- Ratings:
  - 1/8 to 3 HP at 200-240 VAC 1-Ph.
  - 1/8 to 5 HP at 200-240 VAC 3-Ph.
  - 1/2 to 7.5 HP (ND) at 380-480 VAC 3-Ph.
- Overload Capacity:
  - 150% for 60 sec. (Heavy Duty)
  - 120% for 60 sec. (Normal Duty)
- Control Methods: V/f Control
- DC injection braking, ramp to stop
- Electronic reversing
- Adjustable accel/decel: 0.0 to 6000.0 seconds
- Controlled speed range: 40:1
- Speed Regulation:
  - ± 0.5 to 1% with slip compensation
- Displacement power factor: 0.98
- Output frequency: 0 to 400 Hz
- Frequency resolution:
  - 0.01 Hz with digital reference
  - 0.06 / 60 Hz with analog reference
- Frequency accuracy:
  - 0.01% with digital command
  - 0.5% with analog command
- Volts / hertz ratio: infinitely adjustable pattern
- DC Injection braking: adjustable amplitude, duration, current limited
- Torque boost: full range, auto
- Power loss ride-thru: 0.5 sec.
- Speed search
- Auto restart
- 2 Critical frequency rejection settings
- Slip Compensation

### Design Features

- 16-bit microprocessor logic
- Digital keypad operator, 5 digits
- LED status display
- Remote Mount Keypad Capability
- 5 multifunction digital inputs
- 1 multifunction digital output
- Programmable form C output contact for customer use: 1A at 250 VAC or 30 VDC
- 24 VDC control logic compatible with sourcing or sinking outputs (PNP or NPN)
- Carrier frequency: 15 kHz max; swing PWM
- 8 multi-speed settings plus jog speed
- 1 Remote speed reference:
  - 0-10 VDC (20 kohms) or isolated 4-20 mA (250 ohms)
- Signal follower: bias and gain
- Analog monitor output:
  - 0-10 VDC proportional to output frequency or output current
- Approximately 140 parameters and monitors
- Cooling fan controlled by drive run/stop
- UL recognized electronic overload
- MTBF: 28 years
- Built-in Dynamic Braking Transistor
- Protected Chassis
- Side-by-Side mounting
- Maintenance monitors

### Protective Features

- Current limit, stall prevention during accel, decel, and run
- Motor and drive overload
- Over voltage prevention function
- Instantaneous over current
- Short circuit
- Under voltage
- Heatsink overheat
- Ground fault protection
- Over/under torque
- Short circuit current rating: 30kA rms sym.

### Service Conditions

- Ambient service temperature:
  - 10° to 50°C (+14° to 122°F)
- Ambient storage temperature:
  - 20° to 60°C (-4° to 140°F)
- Humidity: to 95% non-condensing
- Altitude: to 3300 ft; higher by derating
- Service factor: 1.0
- Input voltage: -15% to +10%
  - 200 to 240 VAC, 380 to 480 VAC
- Input frequency: +/-5%; 50/60 Hz
- Input phase sequence insensitive

### Options

- Dynamic Braking resistor (external)
- Remote LED Operator w/ copy function
- Modbus 232/422/485 Communications
- Analog Potentiometer Card
- DriveWizard Plus
- DIN rail mounting kit
- USB Copy Unit (Y-Stick)
- Reactors, 3% and 5%
- EMC filters, C1 and C3

### Standards

- UL 508C (Power Conversion)
- CSA 22.2 No. 14-95 (Industrial Control Equipment)
- UL, cUL listed; CE marked
- RoHS compliant
- EN 50178 (LVD)
- EN 50081-2, EN 50082-2 (EMC)
- EN 61800-3
- IEC 529, 146
- FCC CFR 47 Part 15 Subpart B (w/ External Filter)

This page intentionally left blank

Rated Input Voltage	Drive Model Number CIMR-JU	Normal Duty <sup>(1)</sup>		Heavy Duty <sup>(1)</sup>	
		Rated Output Current (Amps)	Nominal HP <sup>(2)</sup>	Rated Output Current (Amps)	Nominal HP <sup>(2)</sup>
200-240V 1-Phase	BA0001BAA	1.2	1/8 & 1/4	0.8	1/8
	BA0002BAA	1.9	1/4	1.6	1/4
	BA0003BAA	3.3	1/2 & 3/4	3.0	1/2
	BA0006BAA	6.0	1	5.0	3/4 & 1
	BA0010BAA	9.6	2 & 3	8.0	2
200-240V 3-Phase	2A0001BAA	1.2	1/8 & 1/4	0.8	1/8
	2A0002BAA	1.9	1/4	1.6	1/4
	2A0004BAA	3.3	1/2 & 3/4	3.0	1/2
	2A0006BAA	6.0	1	5.0	3/4 & 1
	2A0010BAA	9.6	2 & 3	8.0	2
	2A0012BAA	12.0	3	11.0	3
	2A0020BAA	19.6	5	17.5	5
380-480V 3-Phase	4A0001BAA	1.2	1/2	1.2	1/2
	4A0002BAA	2.1	3/4 & 1	1.8	3/4
	4A0004BAA	4.1	2	3.4	1 & 2
	4A0005BAA	5.4	3	4.8	3
	4A0007BAA	6.9	4	5.5	3
	4A0009BAA	8.8	5	7.2	4
	4A0011BAA	11.1	7.5	9.2	5

(1) Normal Duty overload current rating is 120% of rated output current for 60 seconds; Heavy Duty overload current rating is 150% of rated output current for 60 seconds

(2) Horsepower rating is based on 230-volt and 460-volt induction-type squirrel-cage NEMA B 4-pole motors as represented in NEC table 430.250 Full-Load Current, Three-Phase Alternating Current Motors

**Dimensions and Data**

Rated Input Voltage	Drive Model Number CIMR-JU	Normal Duty		Heavy Duty		Physical Dimensions (in.)			Mounting Dimensions (in.)		Weight (lbs.) <sup>(1)</sup>
		Rated Output Current (Amps)	Nominal HP	Rated Output Current (Amps)	Nominal HP	H	W	D	H1	W1	
200-240V 1-Phase	BA0001BAA	1.2	1/8 & 1/4	0.8	1/8	5.00	2.68	2.99	4.60	2.20	1.3
	BA0002BAA	1.9	1/4	1.6	1/4	5.00	2.68	2.99	4.60	2.20	1.3
	BA0003BAA	3.3	1/2 & 3/4	3.0	1/2	5.00	2.68	4.65	4.60	2.20	2.2
	BA0006BAA	6.0	1 & 1.5	5.0	3/4 & 1	5.00	4.25	5.41	4.60	3.78	3.5
	BA0010BAA	9.6	2 & 3	8.0	2	5.00	4.25	6.06	4.60	3.78	4.0
200-240V 3-Phase	2A0001BAA	1.2	1/8 & 1/4	0.8	1/8	5.00	2.68	2.99	4.60	2.20	1.3
	2A0002BAA	1.9	1/4	1.6	1/4	5.00	2.68	2.99	4.60	2.20	1.3
	2A0004BAA	3.5	1/2 & 3/4	3.0	1/2	5.00	2.68	4.25	4.60	2.20	2.0
	2A0006BAA	6.0	1 & 1.5	5.0	3/4 & 1	5.00	2.68	5.04	4.60	2.20	2.4
	2A0010BAA	9.6	2 & 3	8.0	2	5.00	4.25	5.08	4.60	3.78	3.8
	2A0012BAA	12.0	3	11.0	3	5.00	4.25	5.41	4.60	3.78	3.8
	2A0020BAA	19.6	5	17.5	5	5.00	5.51	5.63	4.60	5.04	5.3
380-480V 3-Phase	4A0001BAA	1.2	1/2	1.2	1/2	5.00	4.25	3.19	4.60	3.78	2.2
	4A0002BAA	2.1	3/4 & 1	1.8	3/4	5.00	4.25	3.90	4.60	3.78	2.7
	4A0004BAA	4.1	2	3.4	1 & 2	5.00	4.25	5.41	4.60	3.78	3.8
	4A0005BAA	5.4	3	4.8	3	5.00	4.25	6.06	4.60	3.78	3.8
	4A0007BAA	6.9	4	5.5	3	5.00	4.25	6.06	4.60	3.78	3.8
	4A0009BAA	8.8	5	7.2	4	5.00	4.25	6.06	4.60	3.78	3.8
	4A0011BAA	11.1	7.5	9.2	5	5.00	5.51	5.63	4.60	5.04	5.3

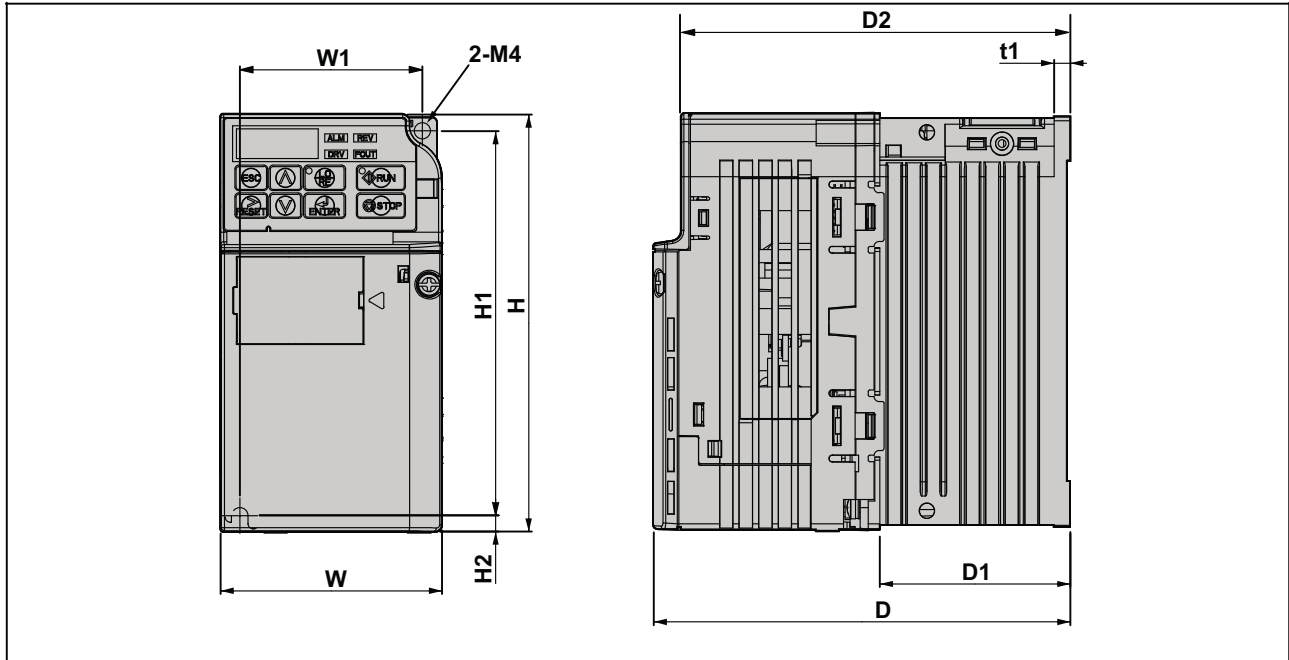
(1) This data represents the drive weight only, not shipping weight.

# Dimension Drawing

DD.J1000.01

Protected Chassis

**J1000**

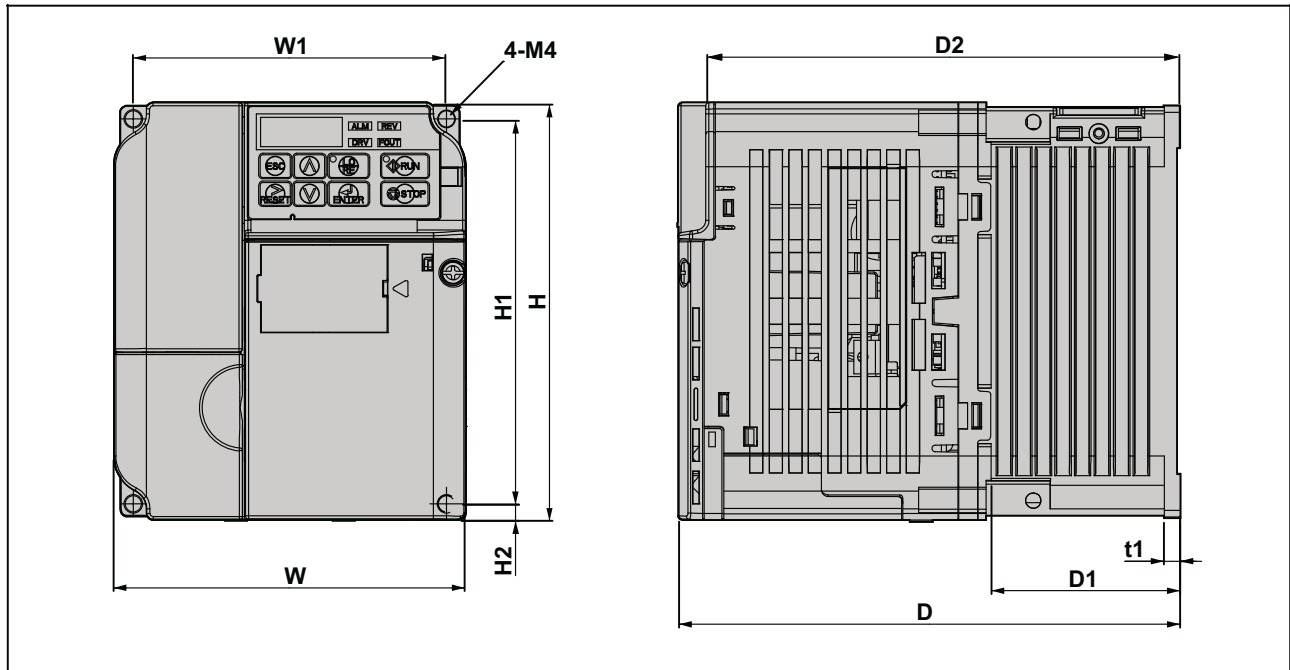


Voltage Class	Drive Model CIMR-J□	Dimensions (in)									Weight (lb.)
		W	H	D	W1	H1	H2	D1	D2	t1	
Single-Phase 200 V Class	BA0001B	2.7	5.0	3.0	2.2	4.6	0.2	0.3	2.7	0.1	1.3
	BA0002B	2.7	5.0	3.0	2.2	4.6	0.2	0.3	2.7	0.1	1.3
	BA0003B	2.7	5.0	4.6	2.2	4.6	0.2	1.5	4.3	0.2	2.2
Three-Phase 200 V Class	2A0001B	2.7	5.0	3.0	2.2	4.6	0.2	0.3	2.7	0.1	1.3
	2A0002B	2.7	5.0	3.0	2.2	4.6	0.2	0.3	2.7	0.1	1.3
	2A0004B	2.7	5.0	4.3	2.2	4.6	0.2	1.5	3.9	0.2	2.0
	2A0006B	2.7	5.0	5.0	2.2	4.6	0.2	2.3	4.7	0.2	2.4

**J1000**

# Dimension Drawing

DD.J1000.02  
Protected Chassis



Voltage Class	Drive Model CIMR-J□	Dimensions (in)									Weight (lb.)
		W	H	D	W1	H1	H2	D1	D2	t1	
Single-Phase 200 V Class	BA0006B	4.3	5.0	5.4	3.8	4.6	0.2	2.3	5.1	0.2	3.8
	BA0010B	4.3	5.0	6.1	3.8	4.6	0.2	2.3	5.7	0.2	4.0
Three-Phase 200 V Class	2A0010B	4.3	5.0	5.1	3.8	4.6	0.2	2.3	4.7	0.2	3.8
	2A0012B	4.3	5.0	5.4	3.8	4.6	0.2	2.3	5.1	0.2	3.8
	2A0020B	5.5	5.0	5.6	5.0	4.6	0.2	2.6	5.3	0.2	5.3
Three-Phase 400 V Class	4A0001B	4.3	5.0	3.2	3.8	4.6	0.2	0.4	2.9	0.2	2.2
	4A0002B	4.3	5.0	3.9	3.8	4.6	0.2	1.1	3.6	0.2	2.7
	4A0004B	4.3	5.0	5.4	3.8	4.6	0.2	2.3	5.1	0.2	3.8
	4A0005B	4.3	5.0	6.1	3.8	4.6	0.2	2.3	5.7	0.2	3.8
	4A0007B	4.3	5.0	6.1	3.8	4.6	0.2	2.3	5.7	0.2	3.8
	4A0009B	4.3	5.0	6.1	3.8	4.6	0.2	2.3	5.7	0.2	3.8
	4A0011B	5.5	5.0	5.6	5.0	4.6	0.2	2.6	5.3	0.2	5.3



**Reactor, 3% and 5% Impedance** - may be used on either the input or output of a drive to reduce the effect of load or line side transients on the drive. The three-phase reactors are available loose in a separate NEMA 1 enclosure.

Rated Input Voltage	Drive Model Number CIMR-JU	Rated Output Current (Amps)	Nominal HP	3% Enclosed Reactor			5% Enclosed Reactor				
				Part Number 05P00620-	Dimensions (in.)			Part Number 05P00620-	Dimensions (in.)		
					H	L	W		H	L	W
200-240V 1-Phase	BA0001BAA	1.2	1/8 & 1/4	0020	8.0	8.0	6.0	0015	8.0	8.0	6.0
	BA0002BAA	1.9	1/4					0021			
	BA0003BAA	3.3	1/2 & 3/4					0021			
	BA0006BAA	6.0	1					0028			
200-240V 3-Phase	BA0010BAA	9.6	2 & 3	0027	8.0	8.0	6.0	0028	8.0	8.0	6.0
	2A0001BAA	1.2	1/8 & 1/4	0020	8.0	8.0	6.0	0015	8.0	8.0	6.0
	2A0002BAA	1.9	1/4					0021			
	2A0004BAA	3.5	1/2 & 3/4	0020	8.0	8.0	6.0	0021	8.0	8.0	6.0
	2A0006BAA	6.0	1	0027	8.0	8.0	6.0	0028	8.0	8.0	6.0
	2A0010BAA	9.6	2 & 3	0027	8.0	8.0	6.0	0028	8.0	8.0	6.0
	2A0012BAA	12.0	3	0032	8.0	8.0	6.0	0033	8.0	8.0	6.0
	2A0020BAA	19.6	5	0036	8.0	8.0	6.0	0037	8.0	8.0	6.0
380-480V 3-Phase	4A0001BAA	1.2	1/2	0015	8.0	8.0	6.0	0016	8.0	8.0	6.0
	4A0002BAA	2.1	3/4 & 1	0015	8.0	8.0	6.0	0016	8.0	8.0	6.0
	4A0004BAA	4.1	2	0021	8.0	8.0	6.0	0023	8.0	8.0	6.0
	4A0005BAA	5.4	3	0028	8.0	8.0	6.0	0029	8.0	8.0	6.0
	4A0007BAA	6.9	4	0033	8.0	8.0	6.0	0034	8.0	8.0	6.0
	4A0009BAA	8.8	5	0037	8.0	8.0	6.0	0038	13.0	13.0	13.0
4A0011BAA	11.1	7.5	0042	13.0	13.0	13.0	0043	13.0	13.0	13.0	



# Options

## J1000 Drive

**EMC C1 Filters** - may be used on the input of the drive to attenuate possible drive-generated noise. Filters should always be mounted as close to the drive as possible; these are designed such that the drive can be mounted to it, pancake-style. The drive should be installed with the EMC filters listed below in order to comply with the EN 61800-3, category C1 requirements. These C1 filters meet the requirements for CE.

Rated Input Voltage	Drive Model Number CIMR-JU	Rated Output Current (Amps)	Nominal HP	C1 Filter					
				Part Number	Rated Current (A)	Dimensions (in.)			Weight (lbs)
						H	W	D	
200-240V 1-Phase	BA0001BAA	1.2	1/8 & 1/4	FS23638-10-07	10	6.65	2.80	1.77	0.97
	BA0002BAA	1.9	1/4						
	BA0003BAA	3.3	1/2 & 3/4	FS23638-20-07	20	6.65	4.37	1.97	1.76
	BA0006BAA	6.0	1						
	BA0010BAA	9.6	2 & 3						
200-240V 3-Phase	2A0001BAA	1.2	1/8 & 1/4	FS23637-8-07	8	6.65	2.80	1.57	0.88
	2A0002BAA	1.9	1/4						
	2A0004BAA	3.5	1/2 & 3/4						
	2A0006BAA	6.0	1	FS23637-14-07	14	6.65	4.37	1.77	1.28
	2A0010BAA	9.6	2 & 3						
	2A0012BAA	12.0	3						
	2A0020BAA	19.6	5	FS23637-24-07	24	6.85	5.67	1.97	1.98
380-480V 3-Phase	4A0001BAA	1.2	1/2	FS23639-5-07	5	6.65	4.37	1.77	1.10
	4A0002BAA	2.1	3/4 & 1						
	4A0004BAA	4.1	2						
	4A0005BAA	5.4	3	FS23639-10-07	10	6.65	4.37	1.77	1.54
	4A0007BAA	6.9	4						
	4A0009BAA	8.8	5						
	4A0011BAA	11.1	7.5						
				FS23639-15-07	15	6.85	5.67	1.97	1.98



**EMC C3 Filters (Conducted Interference Voltage Limits)** - may be used on the input of a drive to attenuate possible drive-generated noise. An input filter with proper shielding, routing and grounding between itself and the drive is designed to reduce line-conducted noise levels within the limits of EN61800-3 Category C3, I ≤ 100A (second environment for industrial low-voltage supply network), when the drive's output conductors are properly routed and shielded in grounded steel conduit all the way to the motor. Filters should always be mounted as close to the drive as possible. The filters in combination with the drive meet UL and CE.

Rated Input Voltage	Drive Model Number CIMR-JU	Rated Output Current (Amps)	Nominal HP	C3 Filter Kit	
				Part Number	Rated Current (A)
200-240V 1-Phase	BA0001BAA	1.2	1/8 & 1/4	FS22800-5-A	5
	BA0002BAA	1.9	1/4		
	BA0003BAA	3.3	1/2 & 3/4	FS22800-9-A	9
	BA0006BAA	6.0	1	FS22800-16-A	16
200-240V 3-Phase	BA0010BAA	9.6	2 & 3	FS22800-26-A	26
	2A0001BAA	1.2	1/8 & 1/4	Consult Factory	Consult Factory
	2A0002BAA	1.9	1/4		
	2A0004BAA	3.5	1/2 & 3/4		
2A0006BAA	6.0	1			
2A0010BAA	9.6	2 & 3			
2A0012BAA	12.0	3			
2A0020BAA	19.6	5			
380-480V 3-Phase	4A0001BAA	1.2	1/2	FS22801-3-A	3
	4A0002BAA	2.1	3/4 & 1		
	4A0004BAA	4.1	2	FS22801-6-A	6
	4A0005BAA	5.4	3	FS22801-12-A	12
	4A0007BAA	6.9	4	FS22801-12-A	12
	4A0009BAA	8.8	5	FS22801-12-A	12
	4A0011BAA	11.1	7.5	FS22801-16-A	16

**Note:** Kit contains filter, cover, and mounting hardware.



# Options

## J1000 Drive

**Dynamic Braking Resistor, 3% Duty Cycle** - are rated for 3% duty cycle over a 100-second interval. Approximate braking torque for each rating is listed. These resistors are designed for separate panel mounting.

Rated Input Voltage	Drive Model Number CIMR-JU	Normal Duty		Heavy Duty		3% DB Resistor							
		Rated Output Current (Amps)	Nominal HP	Rated Output Current (Amps)	Nominal HP	Part Number	Qty Reqd	Resistance (Ohms) (Each)	Power (Watts) (Each)	Approx. Braking Torque (%)	Dimensions (in.)		
											H	W	D
200-240V 1-Phase	BA0001BAA	1.2	1/8 & 1/4	0.8	1/8	R7507	1	400	150	125	7.16	1.73	0.51
	BA0002BAA	1.9	1/4	1.6	1/4	R7507	1	400	150	125	7.16	1.73	0.51
	BA0003BAA	3.5	1/2 & 3/4	3.0	1/2	R7505	1	200	150	230	7.16	1.73	0.51
	BA0006BAA	6.0	1	5.0	3/4 & 1	R7505	1	200	150	230	7.16	1.73	0.51
200-240V 3-Phase	BA0010BAA	9.6	2 & 3	8.0	2	R7504	1	100	150	125	7.16	1.73	0.51
	2A0001BAA	1.2	1/8 & 1/4	0.8	1/8	R7507	1	400	150	125	7.16	1.73	0.51
	2A0002BAA	1.9	1/4	1.6	1/4	R7507	1	400	150	125	7.16	1.73	0.51
	2A0004BAA	3.5	1/2 & 3/4	3.0	1/2	R7505	1	200	150	230	7.16	1.73	0.51
	2A0006BAA	6.0	1	5.0	3/4 & 1	R7505	1	200	150	230	7.16	1.73	0.51
	2A0010BAA	9.6	2 & 3	8.0	2	R7504	1	100	150	125	7.16	1.73	0.51
380-480V 3-Phase	2A0012BAA	12.0	3	11.0	3	R7503	1	70	150	120	7.16	1.73	0.51
	2A0020BAA	19.6	5	17.5	5	R7510	1	62	150	100	7.16	1.73	0.51
	4A0001BAA	1.2	1/2	1.2	1/2	R7508	1	750	150	230	7.16	1.73	0.51
	4A0002BAA	2.1	3/4 & 1	1.8	3/4	R7508	1	750	150	230	7.16	1.73	0.51
	4A0004BAA	4.1	2	3.4	1 & 2	R7508	1	750	150	130	7.16	1.73	0.51
	4A0005BAA	5.4	3	4.8	3	R7507	1	400	150	125	7.16	1.73	0.51
	4A0007BAA	6.9	4	5.5	3	R7507	2	400	150	125	7.16	1.73	0.51
4A0009BAA	8.8	5	7.2	4	R7507	2	400	150	125	7.16	1.73	0.51	
4A0011BAA	11.1	7.5	9.2	5	R7507	2	400	150	120	7.16	1.73	0.51	



**Dynamic Braking Resistor, 10% Duty Cycle** - are rated for 10% duty cycle over a 100-second interval. Approximate braking torque for each rating is listed. These resistors are designed in vented NEMA 1 enclosures for separate panel mounting. The built-in braking module supports the 3% and 10% duty cycle resistors listed here and on the previous page.

Rated Input Voltage	Drive Model Number CIMR-JU	Normal Duty		Heavy Duty		10% DB Resistor						Dimensions (in.)		
		Rated Output Current (Amps)	Nominal HP	Rated Output Current (Amps)	Nominal HP	New Part No. USR000	Qty Reqd	Resistance (Ohms) (Each)	Power (Watts) (Each)	Approx. Braking Torque (%)				
										ND	HD	L	W	H
200-240V 1-Phase	BA0001BAA	1.2	1/8 & 1/4	0.8	1/8	032	1	750	600	120	150	12	7	5
	BA0002BAA	1.9	1/4	1.6	1/4	033	1	400	350	120	150	12	7	5
	BA0003BAA	3.5	1/2 & 3/4	3.0	1/2	022	1	200	250	120	150	12	5	5
	BA0006BAA	6.0	1	5.0	3/4 & 1	035	1	150	350	102	150	12	7	5
	BA0010BAA	9.6	2 & 3	8.0	2	024	1	70	250	107	150	12	5	5
200-240V 3-Phase	2A0001BAA	1.2	1/8 & 1/4	0.8	1/8	032	1	750	600	120	150	12	7	5
	2A0002BAA	1.9	1/4	1.6	1/4	033	1	400	350	120	150	12	7	5
	2A0004BAA	3.5	1/2 & 3/4	3.0	1/2	022	1	200	250	120	150	12	5	5
	2A0006BAA	6.0	1	5.0	3/4 & 1	035	1	150	350	102	150	12	7	5
	2A0010BAA	9.6	2 & 3	8.0	2	024	1	70	250	107	150	12	5	5
	2A0012BAA	12.0	3	11.0	3		1			107	107	12	5	5
380-480V 3-Phase	4A0020BAA	19.6	5	17.5	5	025	1	40	846	111	111	12	7	5
	4A0001BAA	1.2	1/2	1.2	1/2	032	1	750	600	120	150	12	7	5
	4A0002BAA	2.1	3/4 & 1	1.8	3/4		1			120	150	12	7	5
	4A0004BAA	4.1	2	3.4	1 & 2	032	1	750	600	61	61	12	7	5
	4A0005BAA	5.4	3	4.8	3	034	1	250	350	119	119	12	7	5
	4A0007BAA	6.9	4	5.5	3	034	1	250	350	119	119	12	7	5
	4A0009BAA	8.8	5	7.2	4	035	1	150	350	118	150	12	7	5
4A0011BAA	11.1	7.5	9.2	5	035	1	150	350	118	150	12	7	5	



**Options**  
**J1000 Drive**

**DIN Rail Mounting Kits** - The DIN rail attachment kit allows the drive to be mounted on a 35 mm DIN rail. The DIN rail itself is not included in the kit. Option kit for customer mounting.

Rated Input Voltage	Drive Model Number CIMR-JU	Rated Output Current (Amps)	Nominal HP	DIN Rail Kit
				Part Number 72606-EZZ08122
200-240V 1-Phase	BA0001BAA	1.2	1/8 & 1/4	A
	BA0002BAA	1.9	1/4	
	BA0003BAA	3.3	1/2 & 3/4	
	BA0006BAA	6.0	1	B
	BA0010BAA	9.6	2 & 3	
200-240V 3-Phase	2A0001BAA	1.2	1/8 & 1/4	A
	2A0002BAA	1.9	1/4	
	2A0004BAA	3.5	1/2 & 3/4	
	2A0006BAA	6.0	1	B
	2A0010BAA	9.6	2 & 3	
	2A0012BAA	12.0	3	
380-480V 3-Phase	2A0020BAA	19.6	5	C
	4A0001BAA	1.2	1/2	B
	4A0002BAA	2.1	3/4 & 1	
	4A0004BAA	4.1	2	
	4A0005BAA	5.4	3	
	4A0007BAA	6.9	4	
	4A0009BAA	8.8	5	
4A0011BAA	11.1	7.5	C	



**NEMA 1 Enclosure Kits** - These kits provide a bottom metal box to protect fingers from hazardous voltages, and a top plastic cover to protect the drive from falling debris. Option kit for customer mounting.

Rated Input Voltage	Drive Model Number CIMR-JU	Rated Output Current (Amps)	Nominal HP	NEMA 1 Enclosure Kit
				Part Number EZZ020564__
200-240V 1-Phase	BA0001BAA	1.2	1/8 & 1/4	A
	BA0002BAA	1.9	1/4	
	BA0003BAA	3.3	1/2 & 3/4	B
	BA0006BAA	6.0	1	C
	BA0010BAA	9.6	2 & 3	D
200-240V 3-Phase	2A0001BAA	1.2	1/8 & 1/4	A
	2A0002BAA	1.9	1/4	
	2A0004BAA	3.5	1/2 & 3/4	
	2A0006BAA	6.0	1	
	2A0010BAA	9.6	2 & 3	G
	2A0012BAA	12.0	3	C
	2A0020BAA	19.6	5	H
380-480V 3-Phase	4A0001BAA	1.2	1/2	G
	4A0002BAA	2.1	3/4 & 1	
	4A0004BAA	4.1	2	C
	4A0005BAA	5.4	3	
	4A0007BAA	6.9	4	J
	4A0009BAA	8.8	5	
	4A0011BAA	11.1	7.5	H



## Options J1000 Drive

**Remote Interface, RS232C.** This option allows for RS232 communication to a Remote LED Digital Operator (JVOP-182).  
**Model No. SI-232/J**

**Remote Interface, RS232C.** This option allows for RS232 communication to PC software such as DriveWizard Plus or USB Copy Unit (Y-Stick, JVOP-181).  
**Model No. SI-232/JC**

**Remote Interface, RS485/422.** This option allows the drive to realize RS485/422 network communication with Modbus protocol.  
**Model No. SI-485/J**

**Analog Potentiometer Card.** This option provides an analog potentiometer for frequency control, mounted to the front of the J1000 drive.  
**Model No. AI-V3/J**

**USB Copy Unit (Y-Stick).** This option allows the drive to connect to the USB port on a PC. It can read, copy and verify drive parameter settings from one drive to another like drive. The unit plugs into the RS232C Remote Interface (SI-232/JC) option, sold separately.  
**Model No. JVOP-181**

**CopyUnitManager Software for USB Copy Unit (Y-Stick).** This option allows the user to transfer and save parameter files from the Copy Unit (JVOP-181), sold separately, to a PC and vice versa.  
**No Model No.**

**UL Rated Remote Operator Kits.** This option is used to extend the existing Digital Operator to the wall of a separately priced, oversized UL Type 1, 3R, 4, 4X, or 12 enclosure (IPX6 environment). Price includes a faceplate bezel with digital operator brackets and membrane to cover the operator cutout in the enclosure door, a 3-foot cable, a 10-foot cable, and a 1:1 template for cutting the necessary cutouts in the enclosure. Keypad can be removed after kit installation. Designed for use with the LED Operator (JVOP-182) sold separately.  
Connects to RJ45 port and mounts to enclosure wall.  
**Model No. UUX000526 (Blank Membrane)**  
**Model No. UUX000527 (Yaskawa Logo Membrane)**

**Operator, LED Digital Remote.** This option allows the drive to be operated from a remote location. It requires the RS232C Remote Interface (SI-232/J), sold separately. This option also requires Installation Set A (EZZ020642A) for panel or door mounting and Remote Operator Cable (UWR0051 or UWR0052), each sold separately.  
**Model No. JVOP-182**

**Operator Cable, Remote.** These cables are used to connect the Remote LED Digital Operator (JVOP-182). They are available in one (1) or three (3) meter lengths.  
**Model No. UWR0051 (1 meter)**  
**Model No. UWR0052 (3 meter)**

**LED Keypad Installation Set A (Remote Operator Mounting Bracket Kit).** This is a bracket to which the LED Digital Remote Operator (JVOP-182) attaches, and has (4) threaded holes and screws to attach to the cover of an enclosure. The kit contains (2) screws to mount the Operator to the bracket and (4) screws to attach the bracket to the enclosure.  
**Model No. EZZ020642A**

**LED Keypad Installation Set B (Remote Operator Mounting Bracket Kit).** Contains a similar bracket that the keypad attaches to and has non-threaded holes for mounting to an enclosure that has the screws attached to the enclosure already. The kit contains (2) screws to mount the keypad to the bracket and (4) nuts to attach the bracket to the customer supplied screws attached to the enclosure.  
**Model No. EZZ020642B**

**DriveWizard Plus Software.** This optional software package allows upload and download of parameters via PC for data storage and for programming multiple drives. The software also includes graphing and monitoring tools. It is a Windows-based program designed to make startup, commissioning, and troubleshooting of the J1000 as simple as possible. Refer to our website at [www.yaskawa.com](http://www.yaskawa.com) to download the software, and for more information, including minimum system requirements and cable information to interface a PC to V1000 or J1000 drives.  
**No Model No.**

**PC Interface Cable.** This 6-foot cable interconnects the drive keypad port to the 9-pin communication port on a PC. It requires the RS232C Remote Interface (SI-232/JC), sold separately. This cable is used in conjunction with DriveWizard Plus software.  
**Model No. UWR00468-2**